

# PLAT PANEL TV MOUNTS

**A** X4PCS  
ST6X45mm



**B** X8PCS  
Ø10X45mm



**C** X4PCS  
M8X19mm



**D** X4PCS  
M6X19mm



**E** X4PCS  
Ø6X45mm



**E** X4PCS  
Ø8X45mm



**F** X4PCS



**G** X2PCS  
M5X45mm



**H** X2PCS M6  
M6X12mm Angle adjust Knob



## TOOLS NEEDED (NOT INCLUDED)



Pencil Mark



Phillips Screwdriver



Rule



Hammer



Electric drill

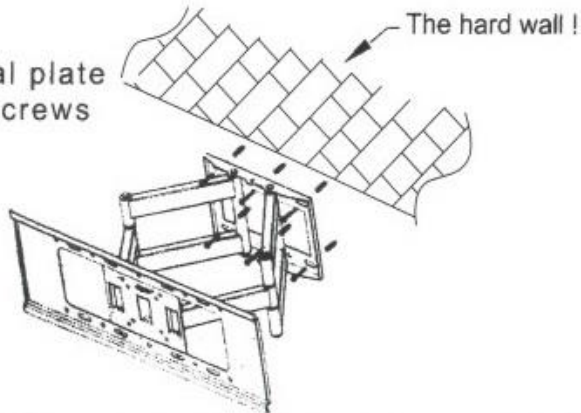
Ø10mm



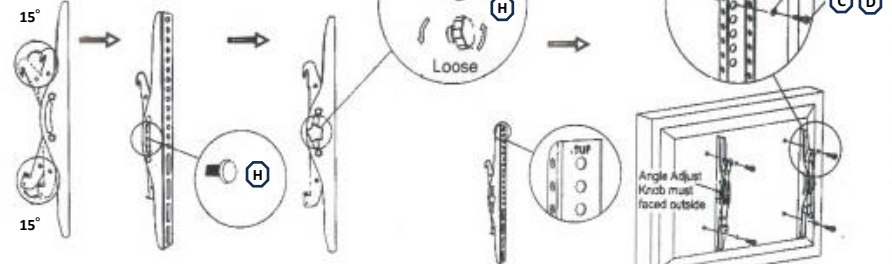
Metallic Drill

## STEP 1

The Horizontal plate fix with four screws in the wall;



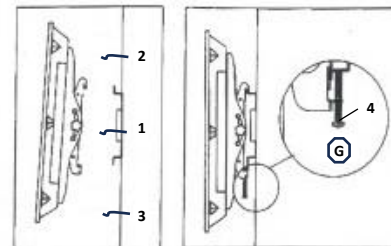
## Attaching Brackets To Screen



Choose the correct diameter screws and washer which is matching the size of the nut on your TV.

## STEP 3

Hang the TV onto the wall



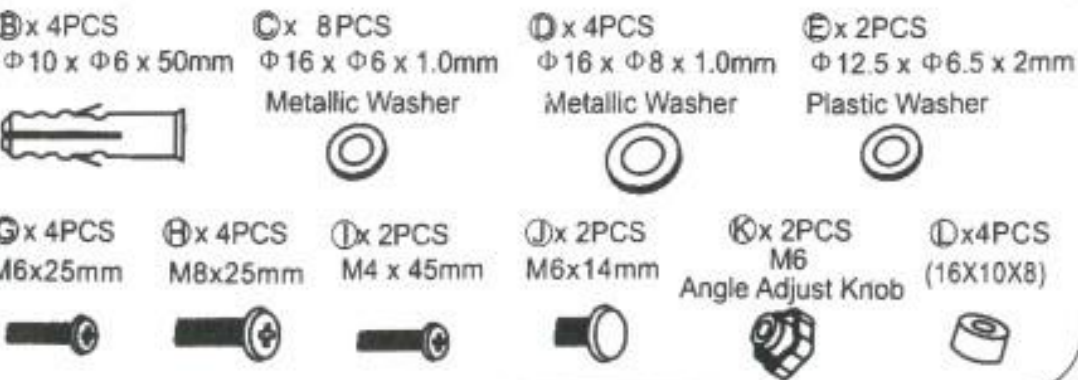
## WARNING

1. The wall installed TV bracket must be firmness and tightness, such as concrete wall, solid brick wall and solid wood wall, Do not install on hollow and floppy walls.
2. Tighten screw so that wall plate is firmly attached, but do not overtighten. Overtightening can damage the screws, greatly reducing their holding power.
3. Do not remove screw or loosen screw until it is no longer engaged with the mount. Doing so may cause the screen to fall.
4. For security option, tighten all the screws with security allen wrench.
5. PLAT PstNEL TV MOUNTS should be installed by specialist

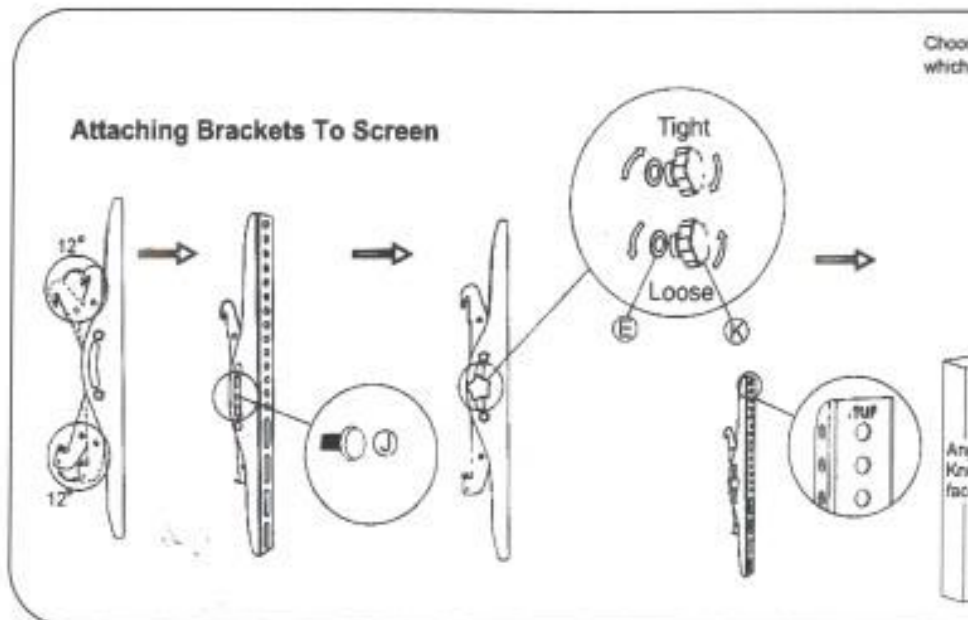
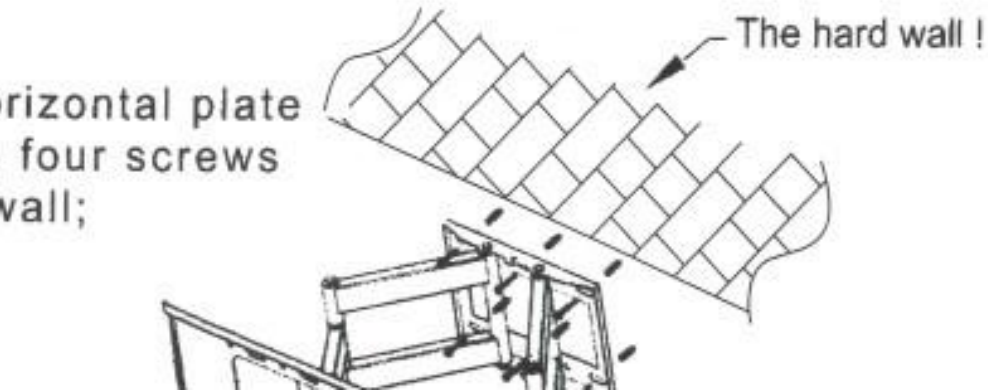
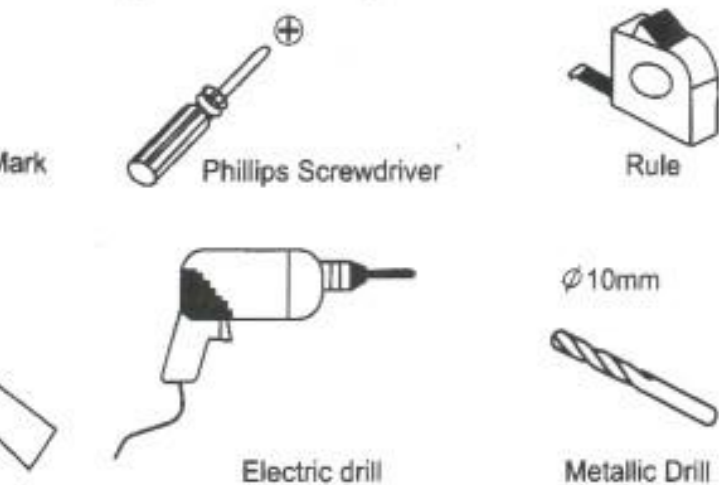
※組立説明書の金具のデザインと商品のデザインが異なることがありますので予めご了承ください。

型番: BS-MH37-KR Model名: KM802

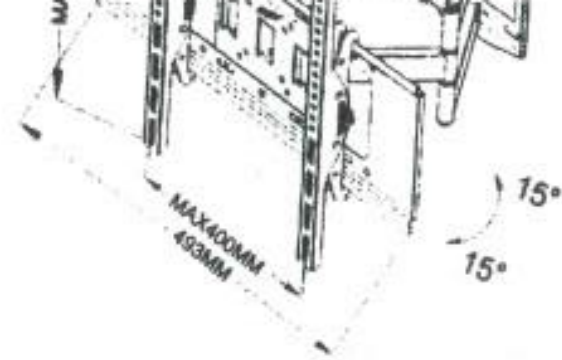
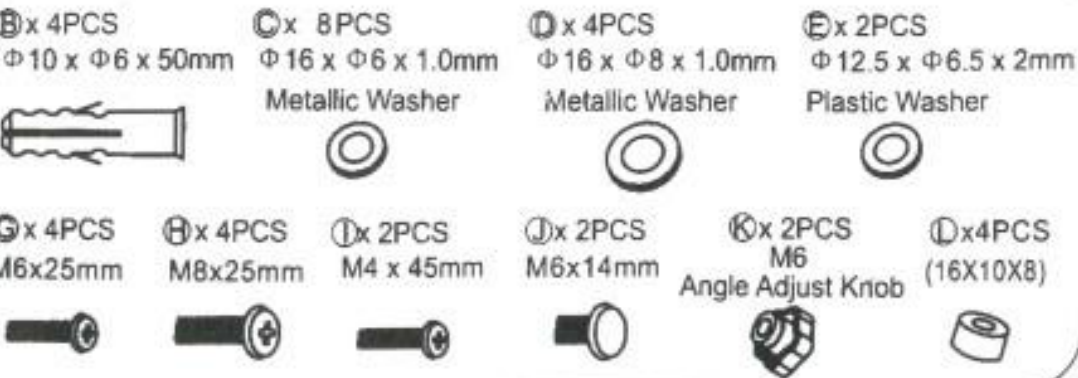
商品名: テレビ/モニター壁掛け金具 (VESA規格, 角度調節, 2アームタイプ40~80型対応, LED・LCD対応)



**NEEDED (NOT INCLUDED)**

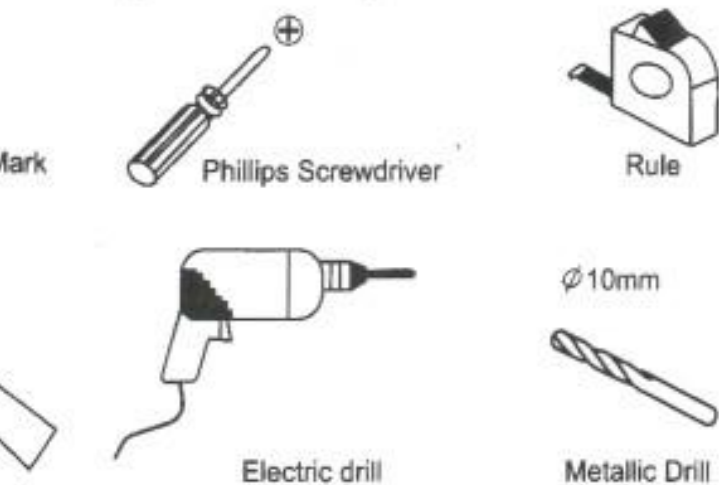


1. The wall installed TV must be firmness and tightness, such as concrete wall, solid wood wall, and solid wood wall. DO not install on hollow wall.
2. Tighten screw so that TV is firm but do not overtighten. Overtightening will damage the screws, greatly reducing their holding power.
3. DO not remove screws from the wall.

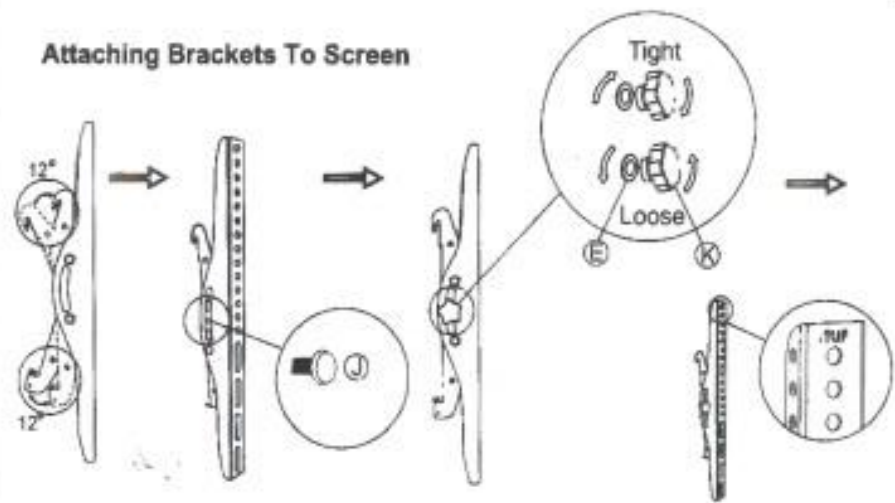


Maximum  
distance  
600x4  
400x4

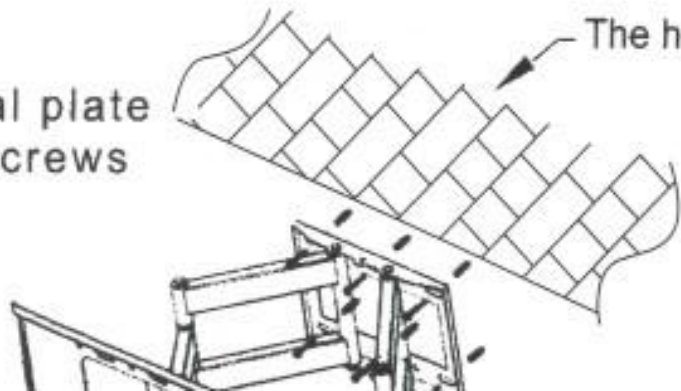
**NEEDED (NOT INCLUDED)**



**Attaching Brackets To Screen**

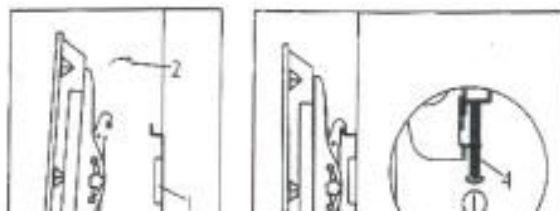


horizontal plate  
four screws  
wall;  
The hard wall !



**STEP3**

Hang the TV onto the wall



**WAR**

1. The wall installed TV brackets must be firm and tightness, such as concrete wall, solid brick wall, etc. Do not install on hollow and soft wall.
2. Tighten screw so that wall brackets are not overtighten. Overtightening will greatly reducing their holding force.
3. Do not remove screw or lock washer so that they are no longer engaged with the wall. Doing so may cause the screws to pull out.

# 組立説明書

型番 ; MH13-KR 2 RT

商品名 : モニター壁掛け金具 (VESA規格、32~70型対応、LED・LCD対応)

Model名 ; C55

組立説明書の金具のデザインと商品のデザインが異なることがありますので予めご了承ください。

1. The wall installed TV bracket must be firmness and tightness, such as concrete wall, solid brick wall and solid wood wall, Do not install on hollow and floppy walls.

2. Tighten screw so that wall plate is firmly attached, but do not overtighten. Overtightening can damage the screws, greatly reducing their holding power.

3. Do not remove screw or loosen screw until it is no longer engaged with the mount. Doing so may cause the screen to fall.

4. For security option, tighten all the screws with security allen wrench.

5. PLAT PstNEL TV MOUNTS should be installed by specialist