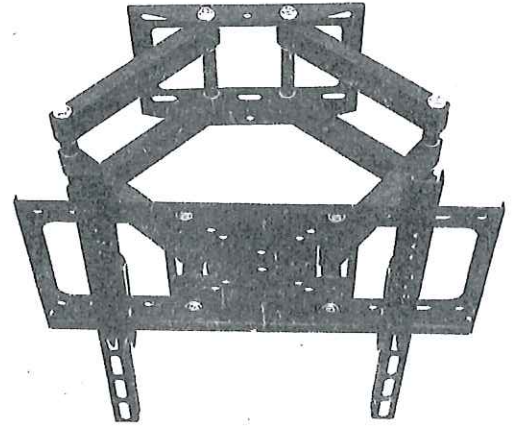


# INSTALLATION MANUAL

		<b>VESA</b> 200*200 400*400	<b>180°</b>  SWIVEL	<b>60°</b>  TILT
--	--	-----------------------------------	---------------------------	------------------------

		× 1		× 2	<b>A</b>		× 4	
<b>B</b>		× 4	<b>C</b>		× 4	<b>D</b>		× 4
<b>E</b>		× 2	<b>F</b>		× 4	<b>G</b>		× 4
<b>H</b>		× 1	<b>I</b>		× 2			



Supplied parts are not suitable for steel stud walls. If any part is missing or faulty, pls contact with our authorized franchisers to replace.

## Step 1. Mounting Swing Arm To Wall

### A SOLID CONCRETE WALL

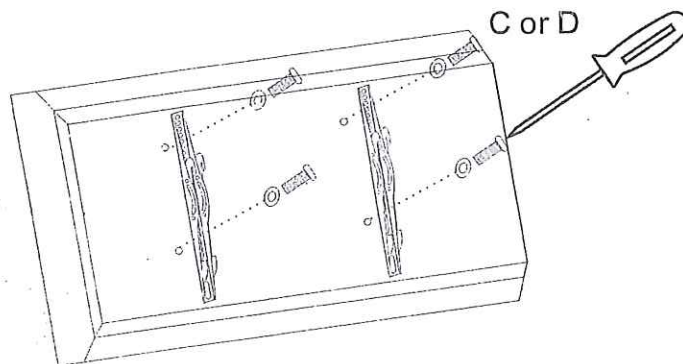
With the help of a water level, easy to keep your mounting in horizontal line.

### B SINGLE/DUAL WOOD STUO

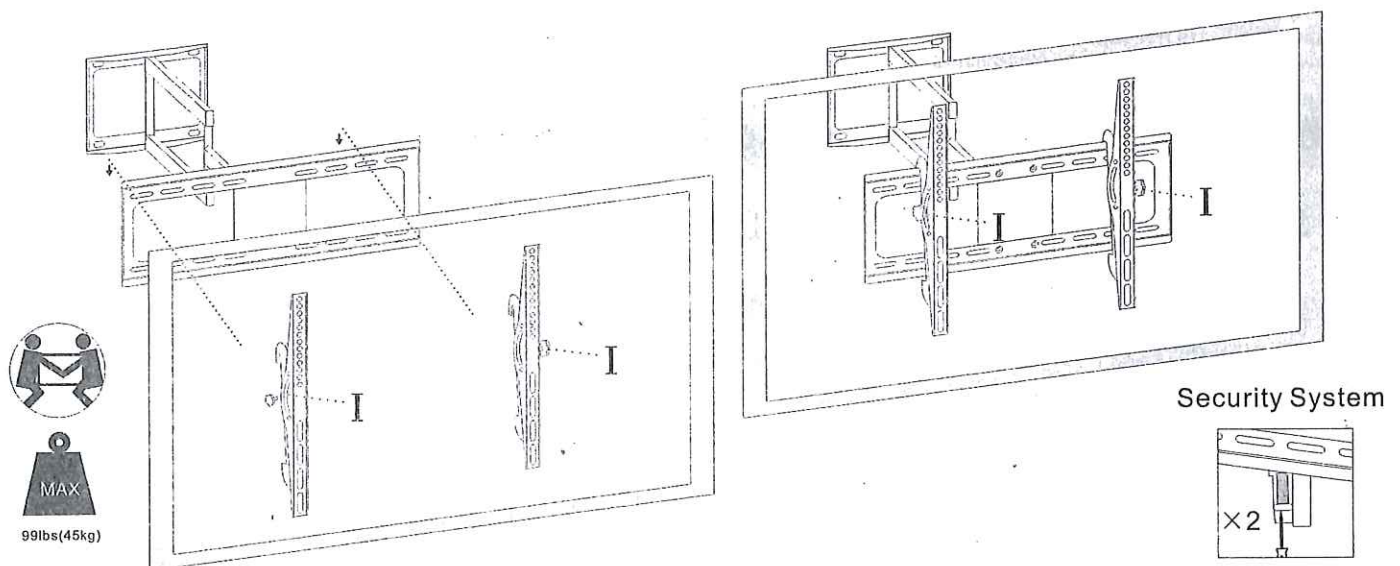
Less than 8" space

With the help of a water level, easy to keep your mounting in horizontal line.

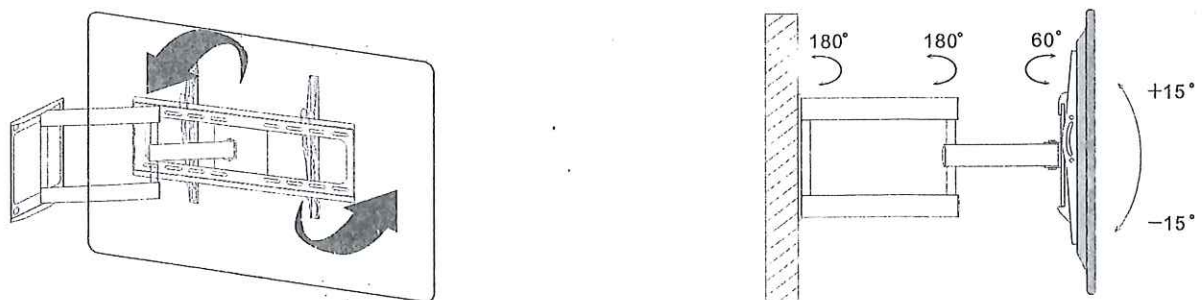
## Step 2. Mounting Tv Display To Hooks



## Step 3. Attaching Display to Swing Arm



## Step 4. Setting Optimum View angle



## WARNING

- Do not begin to operate until you have thoroughly read and understood the instructions and warnings
- This full motion single-arm bracket fits 26" to 55" LED/LCD/Plasma TVs Weighing up to 45KG/99LBS , Nver overload.
- For safe reason ,it should be installed by 2 people who have basic building knowledge and mounting experience.
- Be careful to select the mounting surface , here strongly recommend concrete, solid brick, cinder block and wooden stud wall as the mounting object.
- The manufacturer does not accept the security responsibility for improper installation , damage and use.