

!警告

- ▲ 产品必须由此类产品专业安装人员安装, 安装前安装人员需要仔细阅读安装说明书, 了解支架安装过程.
- ▲ 不要安装超过推车的最大载重能力; 不要安装超过建议尺寸的显示器.
- ▲ 不要在显示位于最高位置时移动推车; 不要推显示器来移动推车; 推车静止时请锁定车轮.

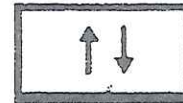
!Warning

- ▲ Products resulting products must be of professional installers to install, installation before the installation of officers will need to be carefully read the installation manual to understand the stent installation process.
- ▲ Do not install more than the maximum load capacity of carts; not exceed the recommended installation feet -Inch display.
- ▲ Do not show the location at the highest mobile carts; do not push the display to shift moving carts; carts stationary when you lock the wheels.

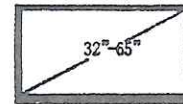
产品如有更改会编到说明书中, 不另行通知.

Products subject to change will be made to the statement, without notice.

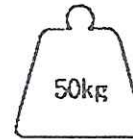
液晶电视机移动支架安装说明 LCD TV Mobile Stent Installation Instructions 1500



上下移动
Moved up and down



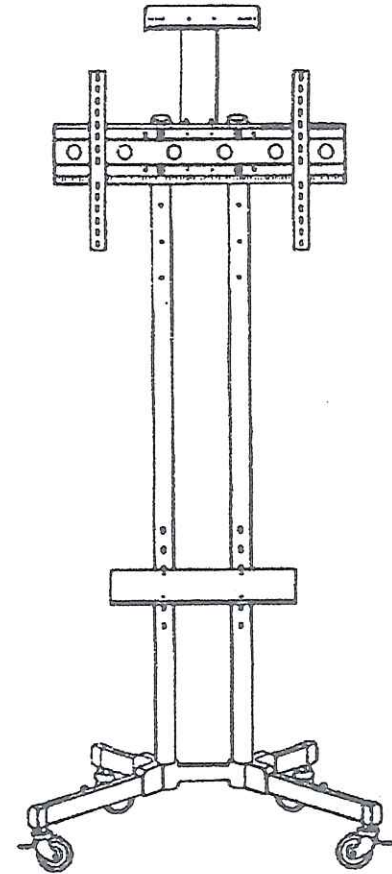
适合安装的尺寸范围 32"-65"
Suitable for the installation
of the size range: 32"-65"



最大承重 50kg
Maximum loading capacity of 50kg



角度调节 ±15°
Angle adjustment ± 15°



建议使用显示器范围: 32"-65" 液晶电视机
适用孔距范围: 最大 600 × 400mm
最大载重量: 50kg
活动角度: ± 15°

Recommend the use of display area: 32"-65" LCD TV
The scope of application of Distance: Max 600 × 400mm
Maximum load: 50kg
Activities point of view: ± 15°

配件列表 (Parts List):

A	长管 Long tube	2		G-1	左托手 Occasional left hand	1	
B	短管 Brevituba	2		G-2	右托手 Occasional right hand	1	
C	底座 Base	1		H	支架 Stent	1	
D	装饰盖 Decorative cover	2		I	挂钩 Linked	2	
F	支撑杆 Supporting bar	2		J	镜头杆 Rod lens	1	
G	托盘 Tray	1		K	镜头底板 Lens backplane	1	
				L	3°车轮 3° wheels	4	

零件列表 (Parts List):

a	M8x65	6		f	M6x16	6		k	∅5x14x1	4	
b	M8x65	6		g	M5x16	4		m	∅6	1	
c	M8x40	4		h	M8	12		n	3°车轮	4	
d	M5x45	2		i	∅6x20x1	18					
e	M8x20	4		j	∅6x16x1	6					

